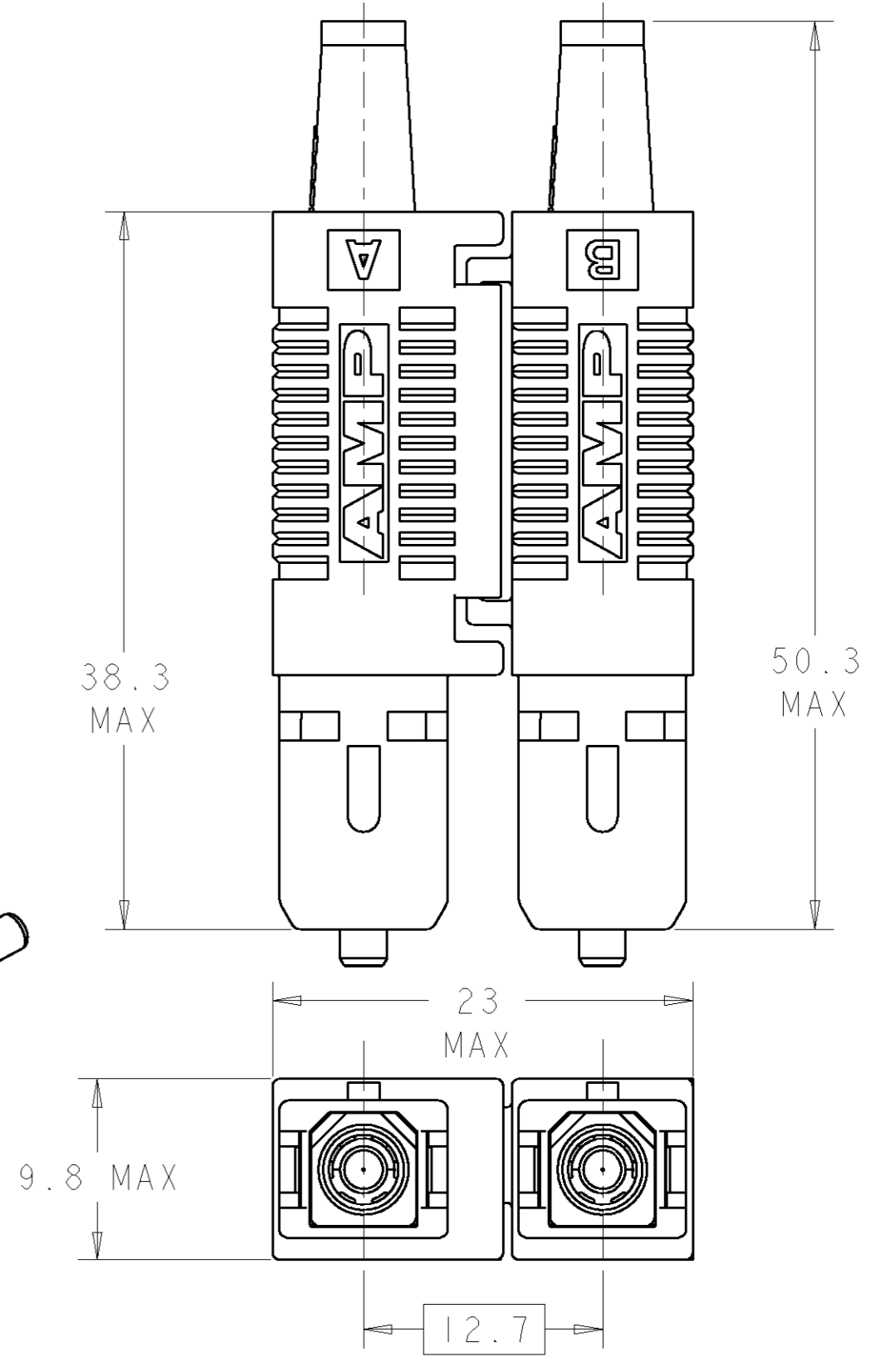
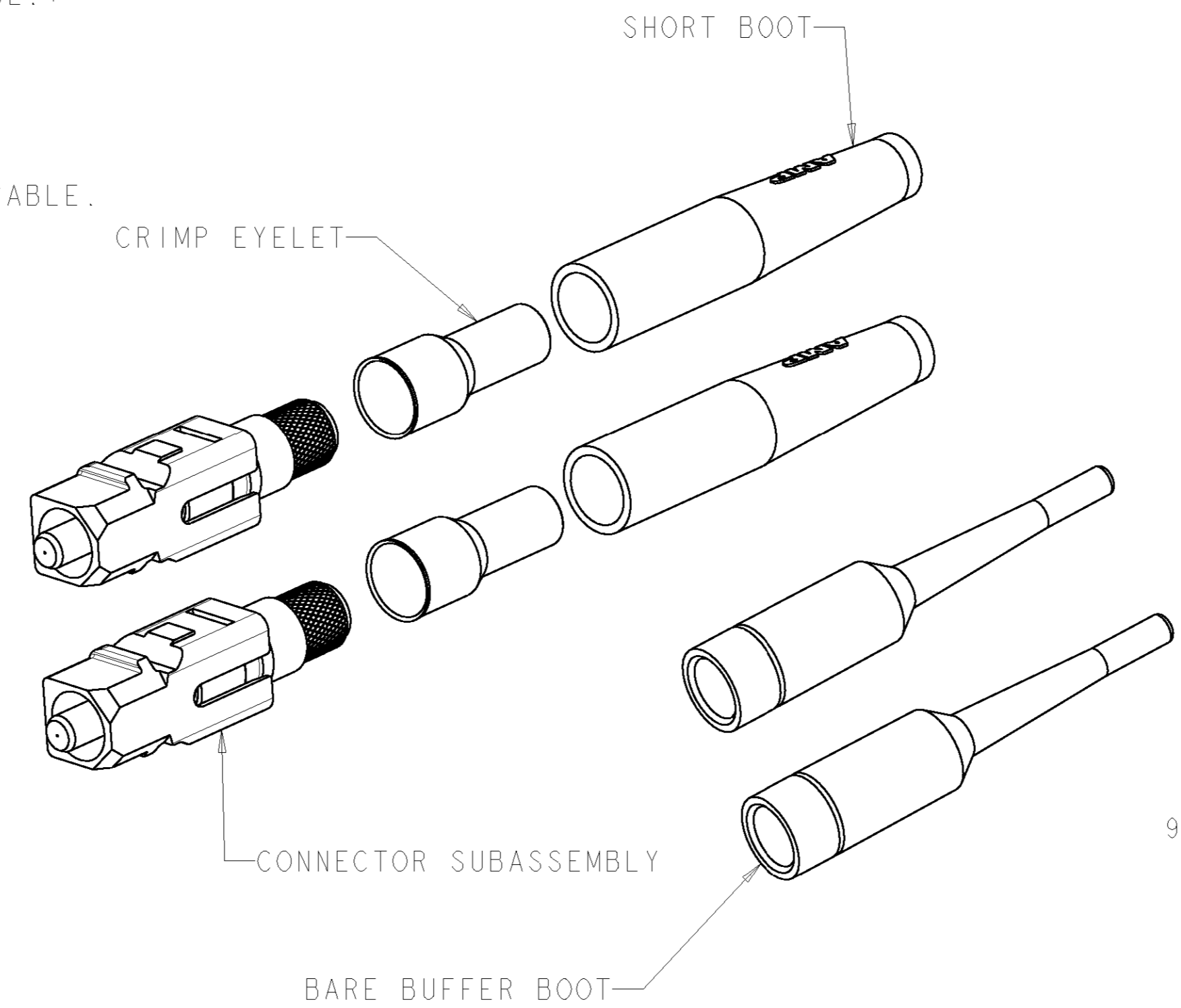
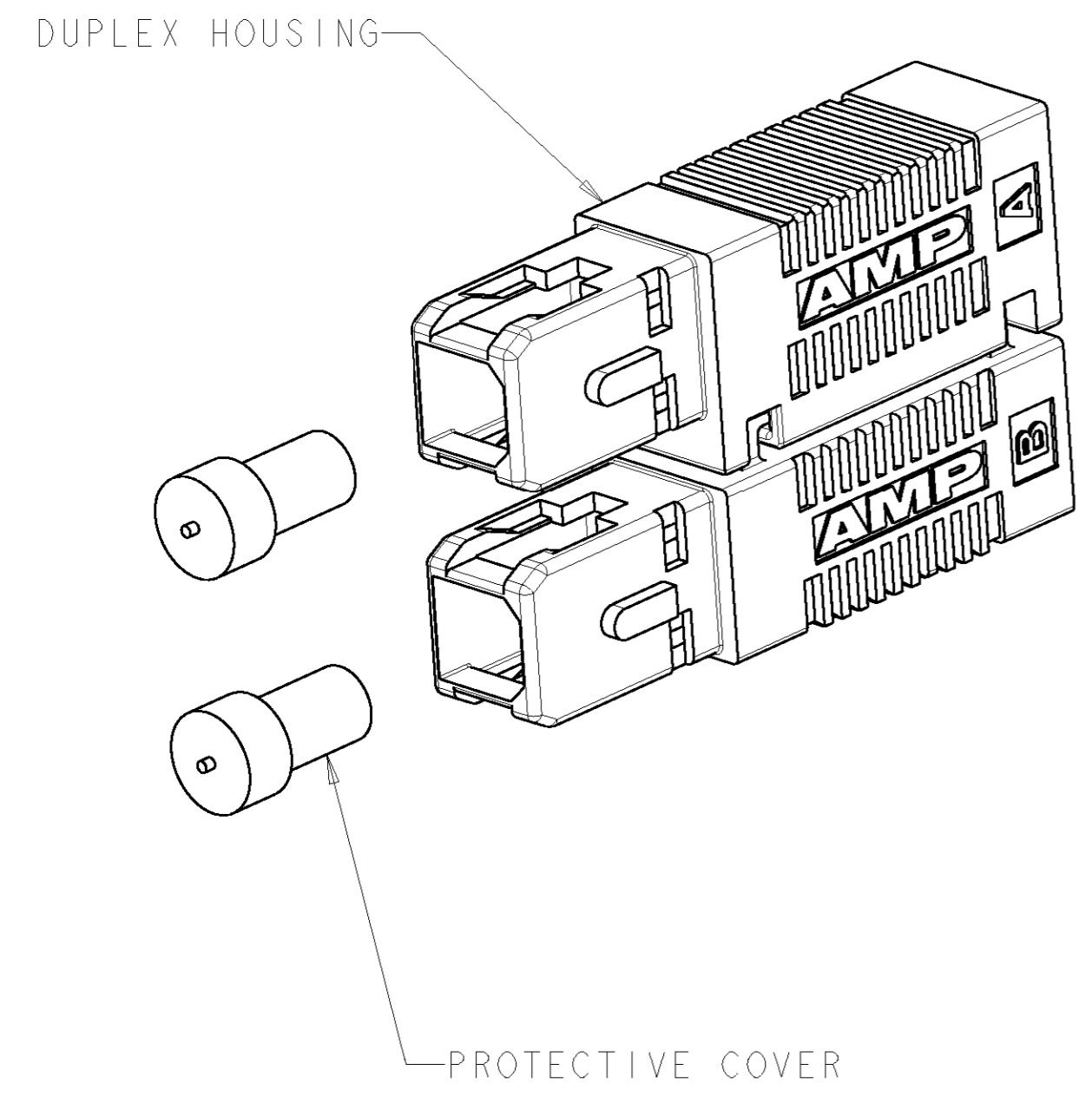


THIS DRAWING IS UNPUBLISHED. RELEASED FOR PUBLICATION 20
 © COPYRIGHT 20 BY TYCO ELECTRONICS CORPORATION. ALL RIGHTS RESERVED.

LOC	DIST	REVISIONS					
CE	00	P	LTR	DESCRIPTION	DATE	DWN	APVD
			H	REVISE PER 0A00-0556-04	12NOV2004	BB	SM

1 MATERIAL:
 CONNECTOR HOUSING: PBT-GF17, COLOR: BEIGE.*
 PROTECTIVE COVER: LDPE, COLOR: BLACK, NON-FR.
 CONNECTOR SUBASSEMBLY:
 PLUG BODY: PES-GF20, COLOR: BLUE.*
 FERRULE ASSEMBLY: CERAMIC/PBT-GF17, COLOR: BEIGE.*
 EPOXY FILL TUBING: PTFE, COLOR: CLEAR, UL VW-1 RATED.
 SPRING: STAINLESS STEEL.
 RETAINER BODY: PES-GF20, COLOR: BEIGE.*
 CRIMP EYELET: TIN PLATED COPPER.
 BOOT: TPE, COLOR: BEIGE.*
 *UL94 V-0 RATED AT QUALIFYING THICKNESS.

- 2 BULK PACKAGE.
- 3. 3.0mm KIT FOR USE WITH "LOOSE-JACKETED" CABLE.
- 4 NO AMP LOGO.
- 5 CONTAINS NO CRIMP EYELETS.



5	4	2	NONE	504657-7
4	2		3.0mm	504657-6
			3.0mm AND 900um	504657-5
	4		3.0mm	504657-4
	2		3.0mm	504657-3
	2		3.0mm	504657-2
			3.0mm	504657-1
			BOOT	PART NUMBER

THIS DRAWING IS A CONTROLLED DOCUMENT FOR TYCO ELECTRONICS CORPORATION. IT IS SUBJECT TO CHANGE AND THE CONTROLLING ENGINEERING ORGANIZATION SHOULD BE CONTACTED FOR THE LATEST REVISION.		DWN B. BRIGGS 12NOV2004	Tyco Electronics Harrisburg, PA 17105-3608
DIMENSIONS: mm		CHK S. MILLER 12NOV2004	
TOLERANCES UNLESS OTHERWISE SPECIFIED: 0 PLC ± 1 PLC ± 2 PLC ± 3 PLC ± 4 PLC ± ANGLES ± FINISH		APVD S. RUCHTER 12NOV2004	NAME AMP SC, MULTIMODE CONNECTOR KIT, 900um AND 3.0mm
MATERIAL		PRODUCT SPEC -	SIZE A200779
		APPLICATION SPEC -	CAGE CODE C-504657
		WEIGHT -	DRAWING NO 504657
		CUSTOMER DRAWING	RESTRICTED TO -
		SCALE 3:1	SHEET 1 OF 1
			REV H